

- * ALL ELJEN DRAINS ARE SUPPLIED WITH OVERLAP FLAPS, (COUPLINGS), FOR CONNECTION
- ** CORE OVER LAPPING NOT REQUIRED
- *** INDIVIDUAL DRAINAGE SECTIONS OR PANELS ARE INSERTED FLUSH TOGETHER AND DUCT TAPED OR SAFELY PINNED IN PLACE

AS

NOT TO SCALE

FIGURE 8-1

FOLD OVER THE BLIND END OF ANY
SERIES AND DUCT TAPE IN PLACE

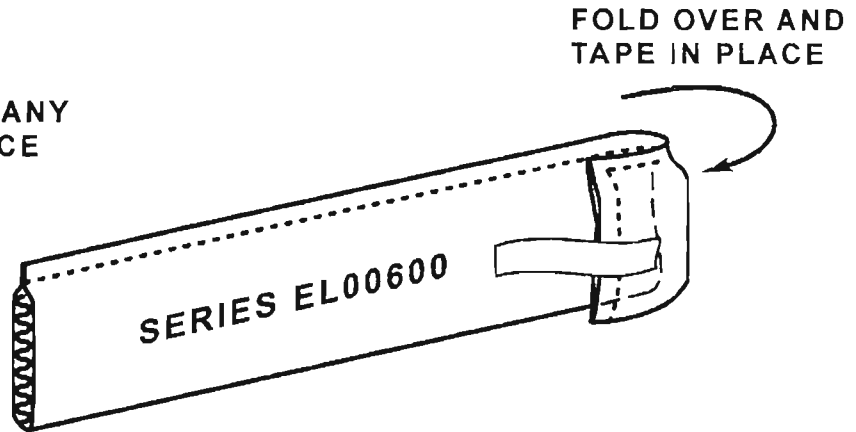


FIGURE 8-2

INSERT INTO SERIES EL00600 OR A COMPATIBLE
SIZE AND DUCT TAPE IN PLACE
BUTT UP BOTH CORE ENDS.

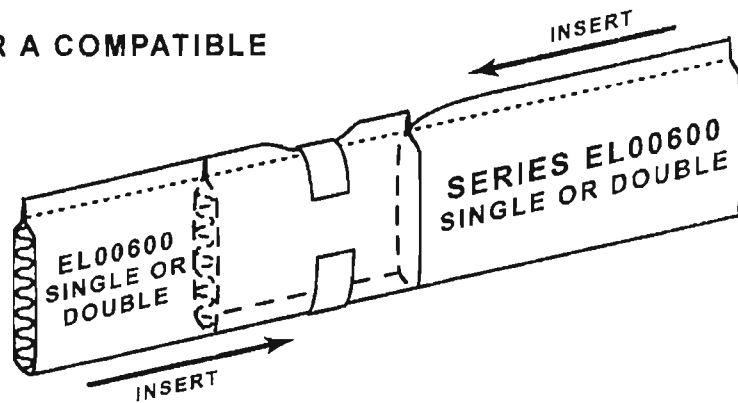
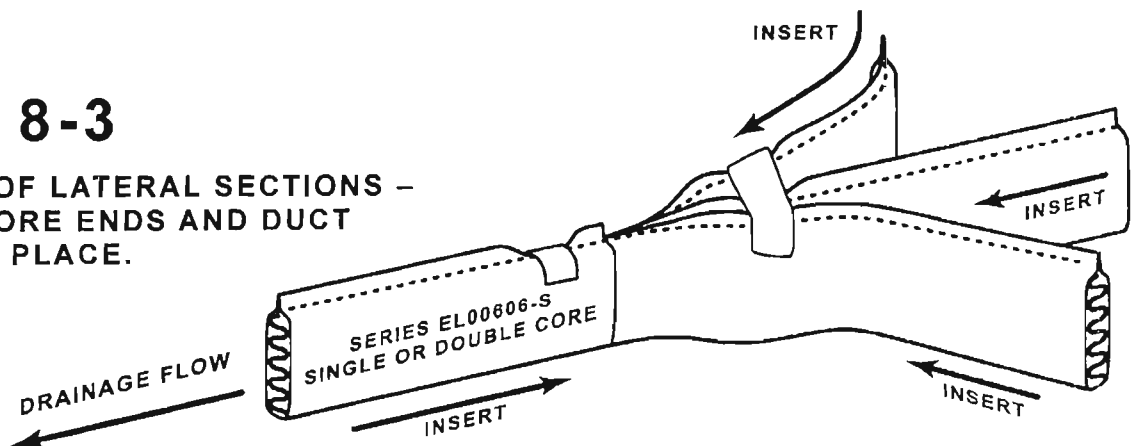


FIGURE 8-3

INSTALLATION OF LATERAL SECTIONS -
BUTT UP ALL CORE ENDS AND DUCT
TAPE OR PIN IN PLACE.



NOTE: BUTT ALL CORES TOGETHER

M.D.I. 2008 A.R.R.

- * ALL ELJEN DRAINS ARE SUPPLIED WITH OVERLAP FLAPS, (COUPLINGS), FOR CONNECTION
- ** CORE OVER LAPPING NOT REQUIRED
- *** INDIVIDUAL DRAINAGE SECTIONS OR PANELS ARE INSERTED FLUSH TOGETHER AND DUCT TAPED OR SAFELY PINNED IN PLACE

PS

NOT TO SCALE

FIGURE 8-4

INSERT ONE OR MORE COMPATIBLE SIZED DRAINS INTO SERIES EL00600-S OR EL00600-D AND DUCT TAPE IN PLACE.

BUTT UP ALL CORE ENDS.

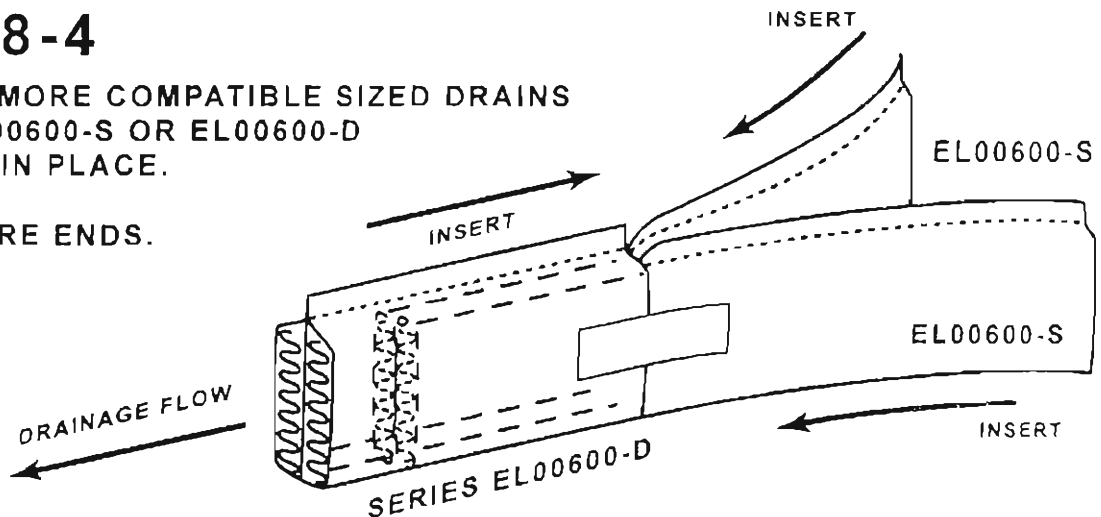
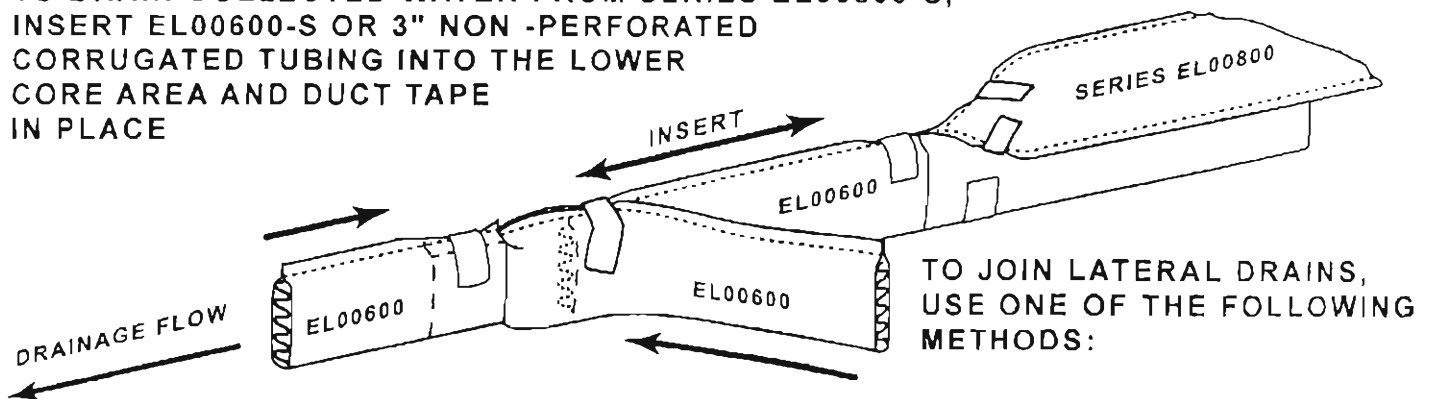


FIGURE 8-5

TO DRAIN COLLECTED WATER FROM SERIES EL00800-S, INSERT EL00600-S OR 3" NON -PERFORATED CORRUGATED TUBING INTO THE LOWER CORE AREA AND DUCT TAPE IN PLACE

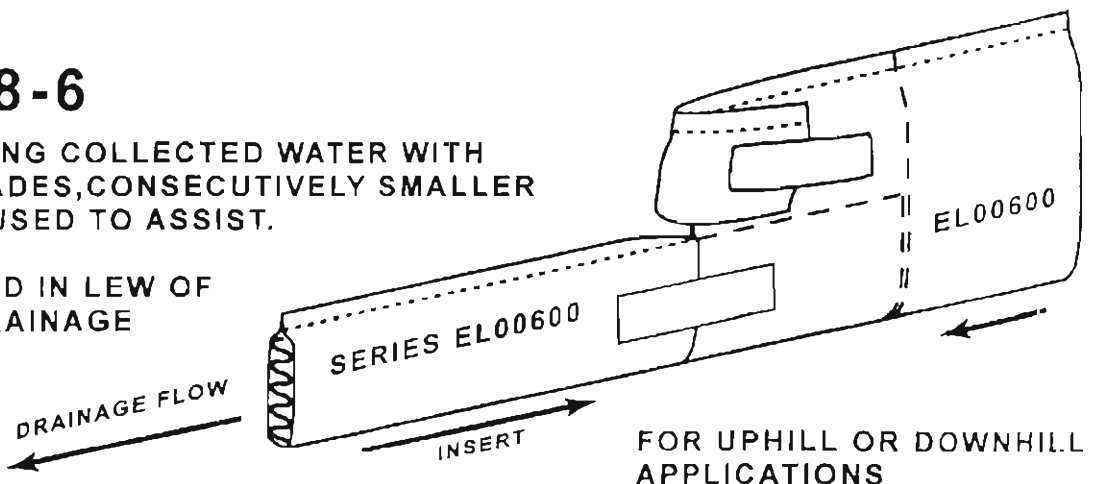


TO JOIN LATERAL DRAINS, USE ONE OF THE FOLLOWING METHODS:

FIGURE 8-6

WHEN DAYLIGHTING COLLECTED WATER WITH DIMINISHING GRADES, CONSECUTIVELY SMALLER DRAINS MAY BE USED TO ASSIST.

PIPE MAY BE USED IN LEW OF THE SMALLER DRAINAGE SECTIONS FOR DAYLIGHTING COLLECTED WATER.



FOR UPHILL OR DOWNHILL APPLICATIONS

NOTE: BUTT ALL CORES TOGETHER

M.D.I. 2008 A.R.R.

- * ALL ELJEN DRAINS ARE SUPPLIED WITH OVERLAP FLAPS, (COUPLINGS), FOR CONNECTION
- ** CORE OVER LAPPING NOT REQUIRED
- *** INDIVIDUAL DRAINAGE SECTIONS OR PANELS ARE INSERTED FLUSH TOGETHER AND DUCT TAPED OR SAFELY PINNED IN PLACE

AS

NOT TO SCALE

FIGURE 8-7

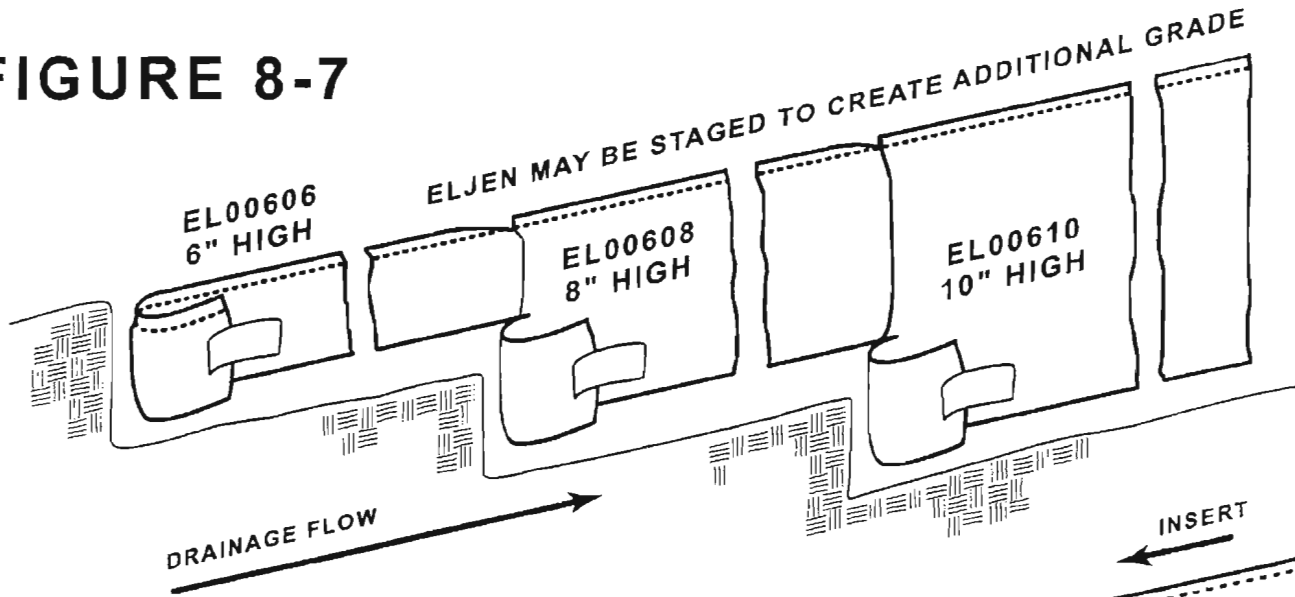


FIGURE 8-8

INSERT THE SMALLER EL00600 SERIES INTO THE END OF EL00700 SERIES. FOLD OVER THE END AND DUCT TAPE IN PLACE.

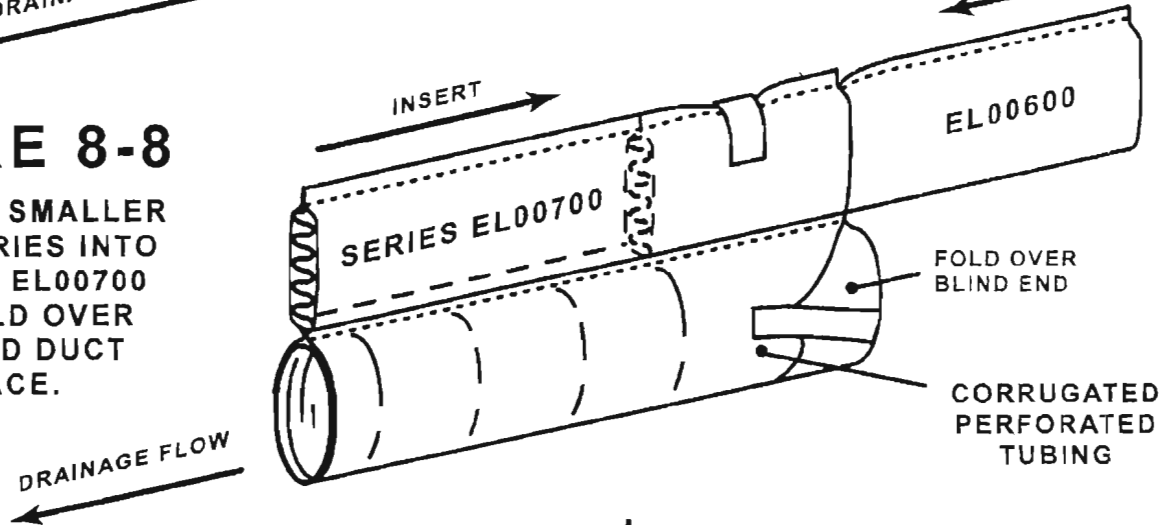
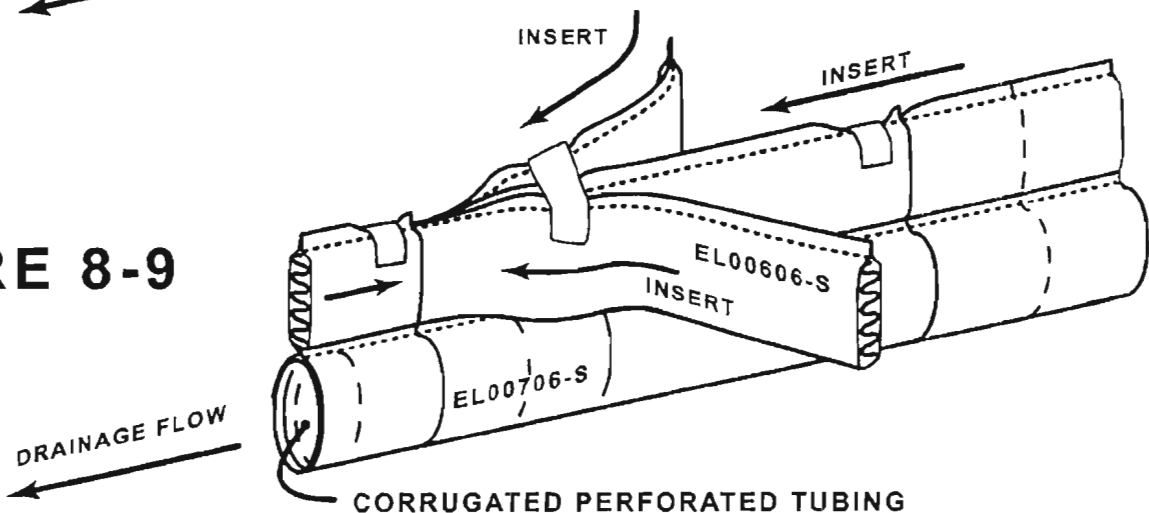


FIGURE 8-9



NOTE: BUTT ALL CORES TOGETHER

M.D.I. 2008 A.R.R.